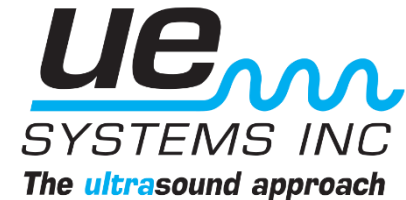


UltraView Quick Visual Guide

- Instrument Identification
- Leak Detection Mode
- Power Mode (Partial Discharge Detection)*

*only available in the UltraView Plus model



Instrument Identification

ULTRAVIEW Quick Visual Guide



UltraView **Cloud Registration**



To login go to: ultraview.uesystems.com
Create a new account



Sign in

Username

Password

SIGN IN

[Forgot password?](#)

[Don't have an account? Sign Up](#)

English

Copyright © UE Systems 2022

[Terms & Conditions](#)

[Privacy Policy](#)



After login, pair your device

Cameras

Device serial number

Secret code

CHECK PAIRING STATUS

[CLOSE](#) [SAVE CHANGES](#)



To retrieve the secret code, select settings,
network settings, device registration



Need more help?

- Contact UE Systems:
info@uesystems.eu
+31-546725125
www.uesystems.eu
- Download the complete [manual](#)

SAFETY: WRIST STRAP WORN ALL TIMES

UltraView **IDENTIFICATION**



Items included with the UltraView

1. 2 Rechargeable batteries
2. Battery charger pod
3. Power adapter
4. UltraView



1



2

3



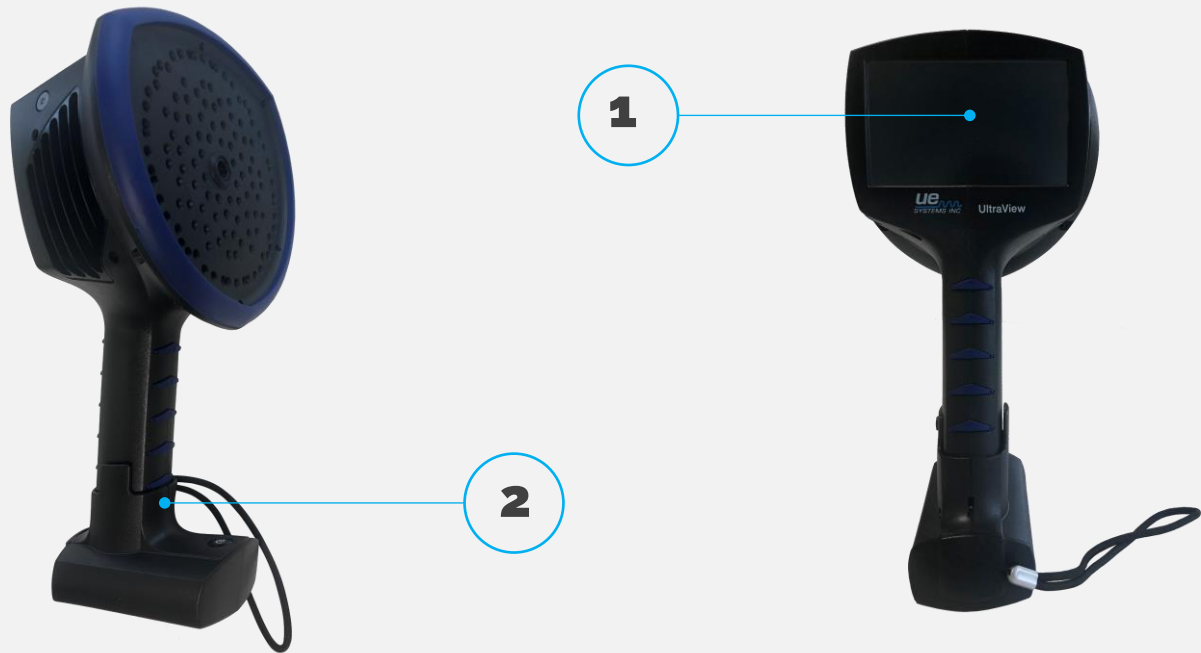
4

SAFETY: WRIST STRAP WORN ALL TIMES

UltraView IDENTIFICATION



UltraView Identification



1. Touchscreen

2. On/Off Button

SAFETY: WRIST STRAP WORN ALL TIMES

UltraView **IDENTIFICATION**



UltraView Identification

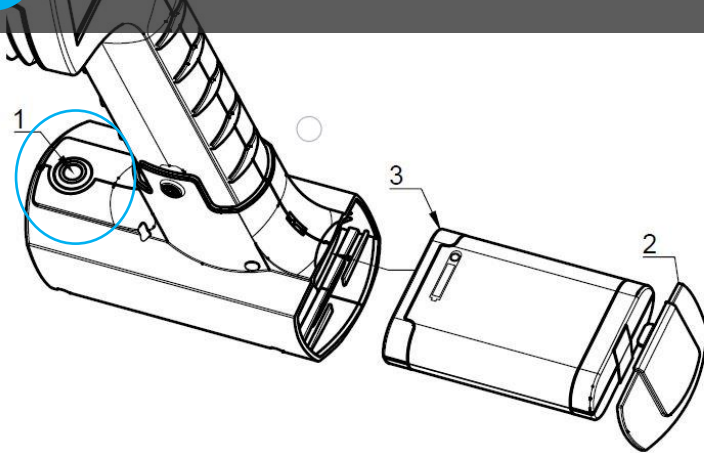
1. 124 Low Noise MEMS
2. Camera
3. Wireless Data Transfer
4. Wrist Strap
5. Battery Pack



SAFETY: WRIST STRAP WORN ALL TIMES

UltraView IDENTIFICATION

- 1 Press and Hold the Power Button for approx. 2 seconds. The button is "in" when it's on.



- 2 Wrist strap should be worn at all times for safety.



- 3 Press On/off button to power on. Press dB Display icon for main display.



- 4 Touchscreen allows for quick and easy adjustments.

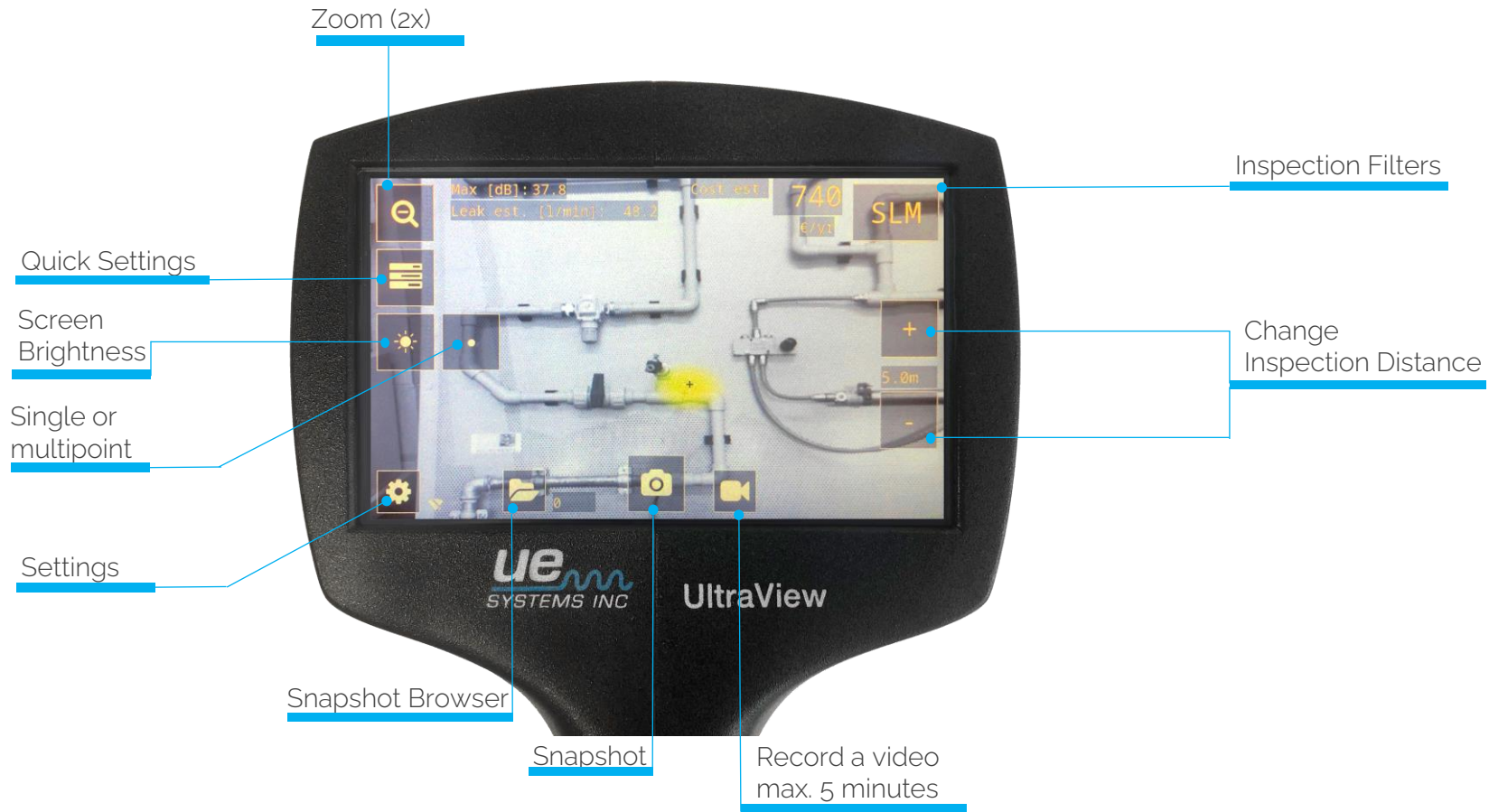


SAFETY: WRIST STRAP WORN ALL TIMES

UltraView IDENTIFICATION



UltraView Main Screen



SAFETY: WRIST STRAP WORN ALL TIMES

Leak Detection Mode

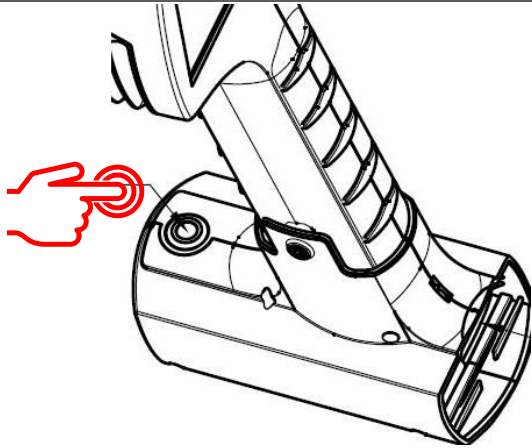
ULTRAVIEW Quick Visual Guide



UltraView **Leak detection mode**



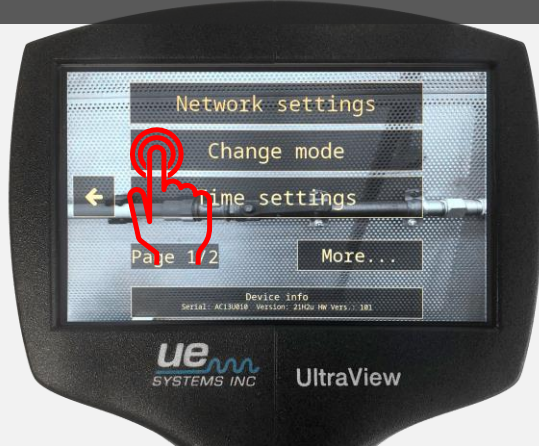
Press and Hold the Power Button for approx. 2 seconds. The button is "in" when it's on



Select settings to change the inspection mode



Select Change Mode*
**you can only change mode if you have the UltraView Plus camera*



Change mode : Air or Power*
**Air: Leak Detection, Power: Partial Discharge Detection*

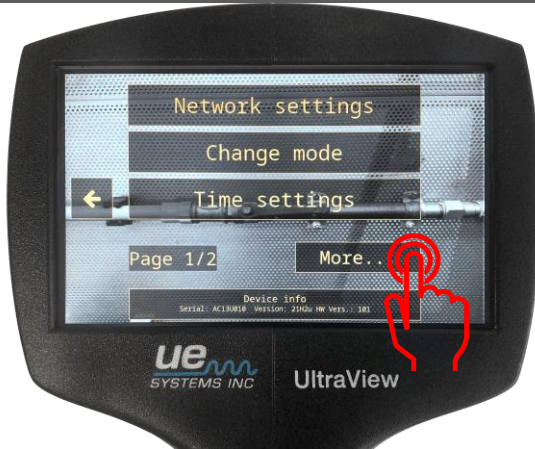


SAFETY: WRIST STRAP WORN ALL TIMES

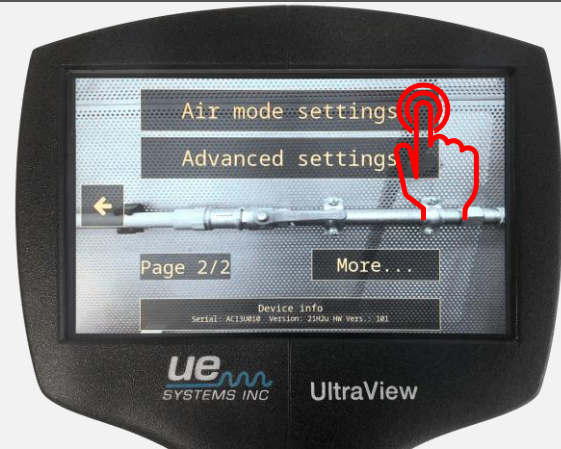
UltraView **Leak detection mode**



In settings select More to change the air mode settings



Select air mode settings to change the leak parameters



Here you can change leak settings



Here you can change leak settings



SAFETY: WRIST STRAP WORN ALL TIMES

UltraView Leak detection mode



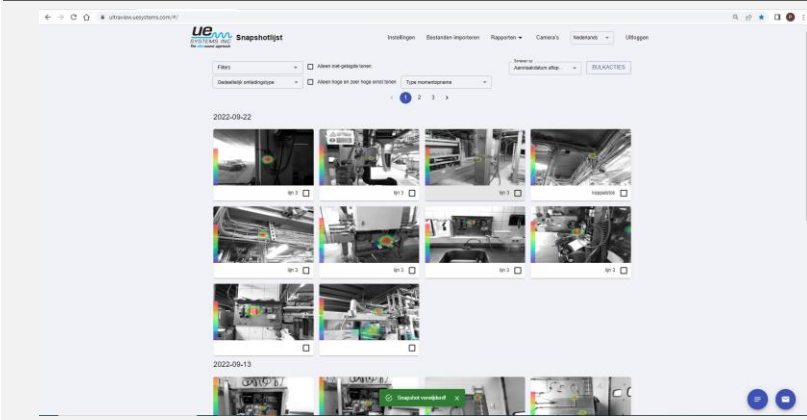
You can change the filters to block out competing ultrasounds



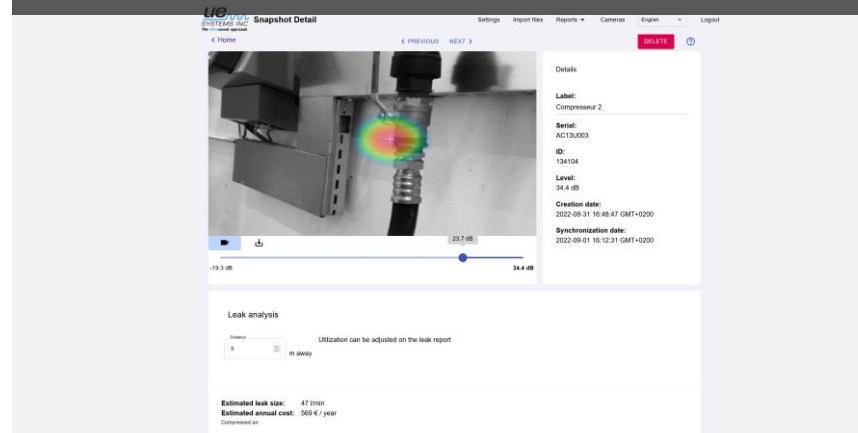
In the main screen, press snapshot to store a leak



If the camera is connected to WiFi, snapshots are automatically uploaded to the cloud



From the cloud you can create your leak report

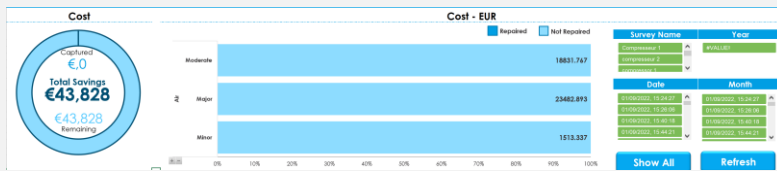


SAFETY: WRIST STRAP WORN ALL TIMES

UltraView Leak Reporting Example



Leak report example



Leak report example

UE SYSTEMS, INC. The smart approach

Gas	Distance	dB	Leak Size (LPM)	Serial #	Tag #	Repaired	Severity (Annualized)	Leak Cost (Annualized)	Energy/Emissions Avoidance			
									Energy (kWh)	CO2 (g)	NOx (g)	SO2 (g)
Air	5.00	19	17.13	AC13U003			Minor	€ 209.22	1.046	216.381	209	11.519
Air	5.00	26	27.87	AC13U003			Minor	€ 340.38	1.702	352.024	340	18.739
Air	2.00	42	39.08	AC13U005			Minor	€ 477.34	2.387	493.669	476	26.280
Air	5.00	32	39.82	AC13U003			Minor	€ 484.39	2.432	503.029	485	26.778
Air	5.00	33	41.66	AC13U003			Moderate	€ 508.79	2.544	526.196	508	28.011
Air	5.00	34	46.56	AC13U003			Moderate	€ 565.64	2.843	588.091	547	31.306
Air	2.00	47	52.78	AC13U003			Moderate	€ 644.60	3.223	666.653	643	35.488
Air	2.00	48	55.78	AC13U003			Moderate	€ 681.26	3.406	704.567	680	37.506
Air	2.00	48	56.84	AC13U003			Moderate	€ 694.17	3.471	717.910	693	38.217
Air	5.00	39	60.30	AC130402			Moderate	€ 738.44	3.682	761.631	735	40.544
Air	5.00	39	61.94	AC13U003			Moderate	€ 758.55	3.783	782.432	755	41.651
Air	5.00	40	65.30	AC130402			Moderate	€ 797.56	3.988	824.838	796	43.909
Air	5.00	40	65.63	AC130402			Moderate	€ 801.57	4.008	828.992	800	44.130
Air	5.00	40	66.83	AC13U005			Moderate	€ 816.25	4.081	844.173	814	44.938
Air	2.00	51	67.46	AC13U005			Moderate	€ 823.93	4.120	852.112	822	45.361



Leak report example

Ultrasound Leak Survey - Images

UE SYSTEMS, INC. The smart approach

Gas: Air
Cost: € 477.34
Tag #: 0
Location: 135971
Comments:

Gas: Air
Cost: € 1,895.42
Tag #: 0
Location: 135970
Comments:



Leak report example

Ultrasound Leak Survey - Dashboard

UE SYSTEMS, INC. The smart approach

Cost - EUR

Cost: €0
Total Savings: €43,828
Remaining: €43,828

Leak Status

0% Complete
0 Repaired
32 Leaks

Summary

Energy/Emissions Avoidance

Not Repaired	Energy (kWh)	CO2 (g)	NOx (g)	SO2 (g)
216 (100%)	42,007.000	40,700	2,612.994	0
€0 (0%)	€0.000	€0.000	€0.000	€0.000

Summary

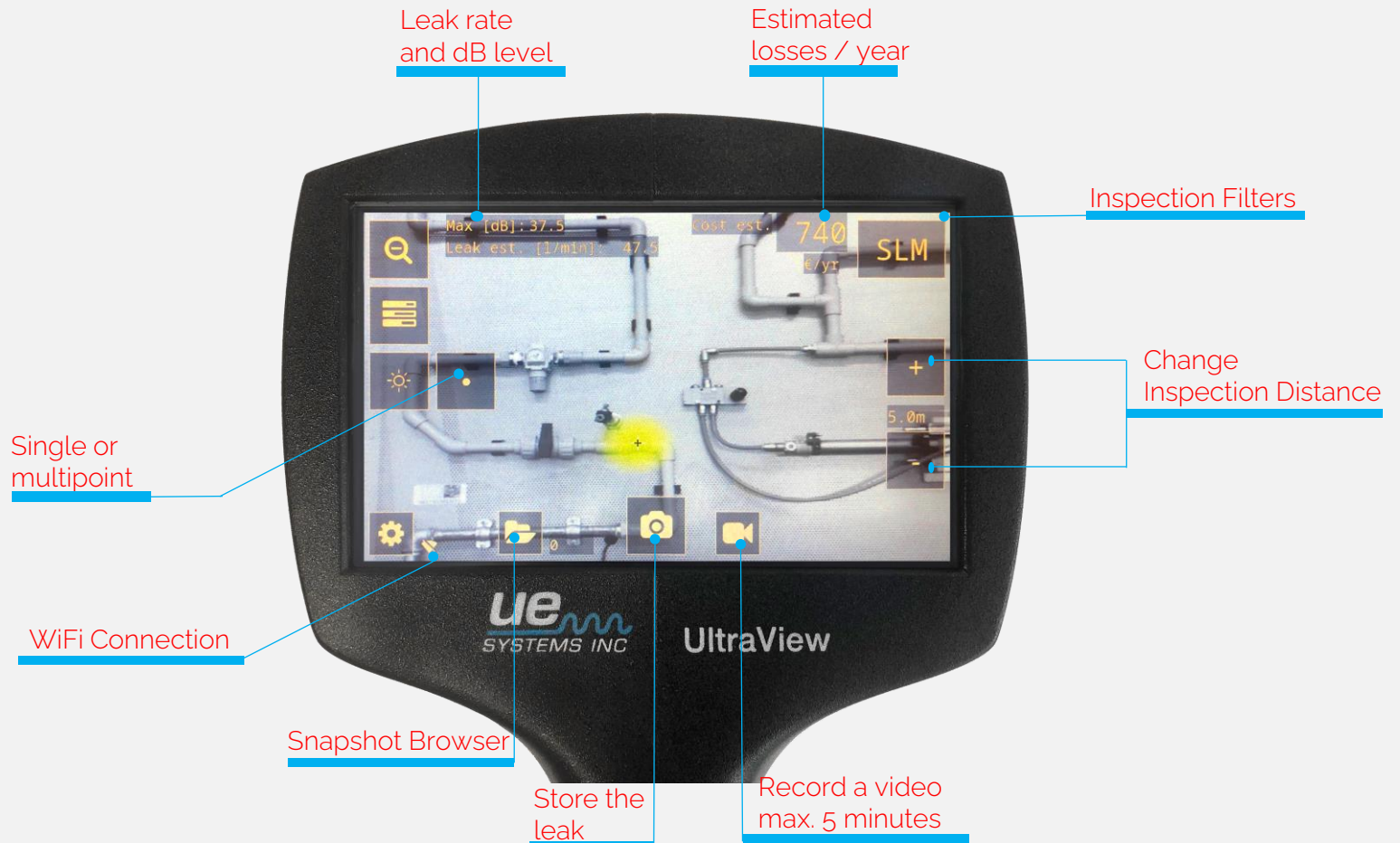
Type of Gas	Not Repaired	Total
Air	31883	31883
CO2	0	0
NOx	0	0
SO2	0	0
Total	31883	31883

SAFETY: WRIST STRAP WORN ALL TIMES

UltraView **Leak detection mode**



UltraView Leak Detection Screen.



SAFETY: WRIST STRAP WORN ALL TIMES

Power Mode (Partial Discharge Detection)*

ULTRAVIEW Quick Visual Guide

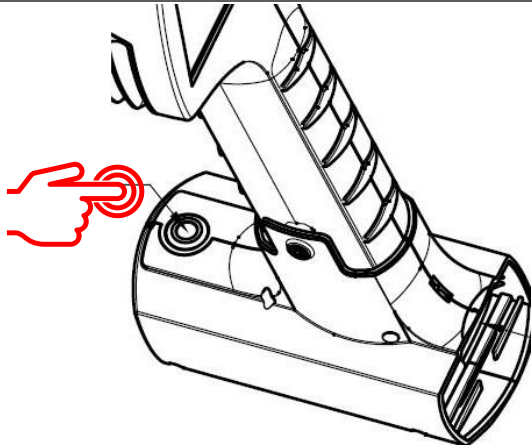
*only available in the UltraView Plus model



UltraView **Power Mode**



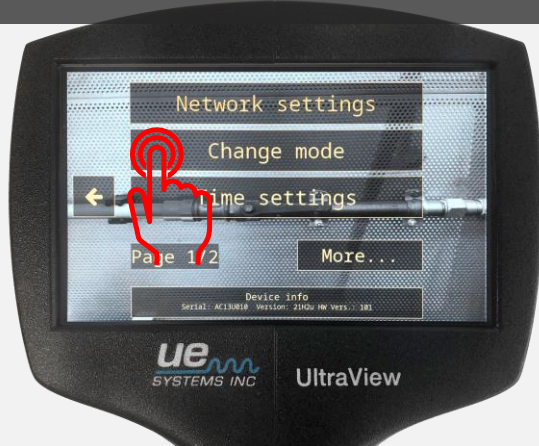
Press and Hold the Power Button for approx. 2 seconds. The button is "in" when it's on



Select settings to change the inspection mode



Select Change Mode*
**you can only change mode if you have the UltraView Plus camera*



Change mode : Air or Power*
**Air: Leak Detection, Power: Partial Discharge Detection*



SAFETY: WRIST STRAP WORN ALL TIMES

UltraView **Power Mode**



Before scanning be sure you are in the Power mode



Before inspecting, always wear your wrist strap



Safely scan the electrical equipment (distance)



When you see a spectrum, this means the sound from the source is electrical related.



SAFETY: WRIST STRAP WORN ALL TIMES

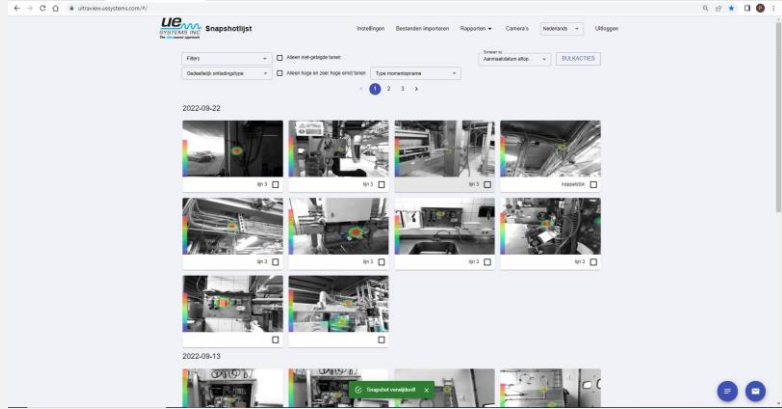
UltraView Power Mode



In the main screen, press snapshot to store a partial discharge



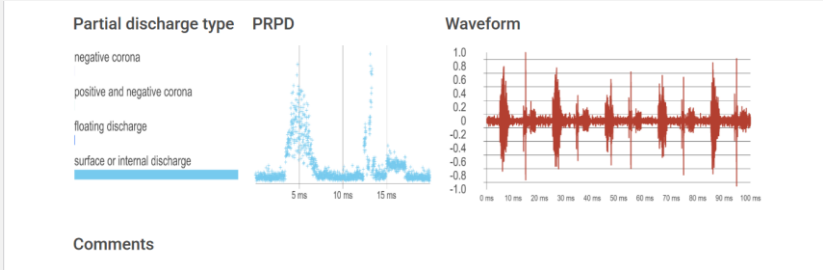
If the camera has the WiFi connected snapshots are automatically uploaded to the cloud



In the cloud you can download the audio files related to the partial discharge.



Example of Partial Discharge report



SAFETY: WRIST STRAP WORN ALL TIMES

UltraView Partial Discharge Reporting



Auto diagnosis on severity

Analysis parameters

Distance: m

Voltage: kV

Location:

Severity

Description:
This is classified as a surface or internal discharge. The discharge appears to be strong and might rapidly escalate to complete insulation breakdown.

Recommendation:
Immediate action. Visual inspection. Cleaning of polluted surfaces. Repair or replacement of the components.



Partial Discharge report example

Severity

Description

This is classified as a surface or internal discharge. The discharge appears to be strong and might rapidly escalate to complete insulation breakdown.

Recommendation

Immediate action. Visual inspection. Cleaning of polluted surfaces. Repair or replacement of the components.

Properties

Level	16 dB
Date created	18.8.2022
Device	AC13U003
Device Label	AC13U003_00008_220818_1305_0008
Distance	25 m
Voltage	330 kV
Location	insulator



Full Partial Discharge Report



From the cloud you can create the partial discharge report



Severity

Description

This is classified as a surface or internal discharge. The discharge appears to be strong and might rapidly escalate to complete insulation breakdown.

Recommendation

Immediate action. Visual inspection. Cleaning of polluted surfaces. Repair or replacement of the components.

Properties

Level	16 dB
Date created	18.8.2022
Device	AC13U003
Device Label	AC13U003_00008_220818_1305_0008
Distance	25 m
Voltage	330 kV
Location	insulator

Severity

Description

This is classified as a surface or internal discharge. The discharge appears to be strong and might rapidly escalate to complete insulation breakdown.

Recommendation

Immediate action. Visual inspection. Cleaning of polluted surfaces. Repair or replacement of the components.

Properties

Level	17 dB
Date created	13.9.2022
Device	AC13U003
Device Label	AC13U003_00002_220913_1309_0002
Distance	25 m
Voltage	330 kV
Location	insulator

Partial discharge type: PRPS

Waveform

Comments

SAFETY: WRIST STRAP WORN ALL TIMES

UltraView **Power Mode**



UltraView Partial Discharge Screen (Power Mode)



SAFETY: WRIST STRAP WORN ALL TIMES

Need further support?
Want information regarding products or training?

CONTACT:

UE Systems Europe - Windmolen 20, 7609 NN Almelo, The Netherlands
T: +31 546 725 125 | E: info@uesystems.eu | W: www.uesystems.eu

